



FORGED FITTINGS



Socket Weld

Stainless steel A182

3000#, 6000# and 9000#

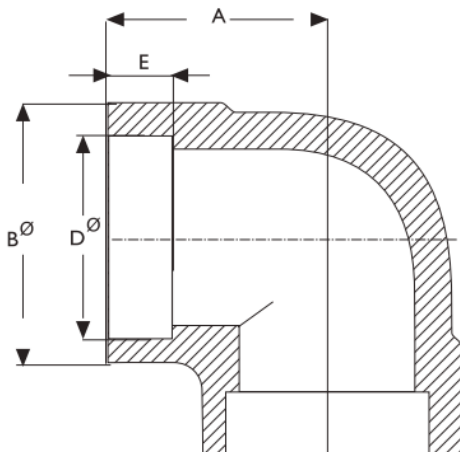


ELBOW 90° SW



Elbow 90° SW 3000#, 6000# and 9000#	
Specifications	
Material	Stainless steel ASTM A182

3000LBS						6000LBS				
OD	A	B Ø	D Ø	E	Weight	A	B Ø	D Ø	E	Weight
1/4"	24.5	25.5	14.0	9.5	0.050					
3/8"	24.5	25.5	17.5	11.0	0.060					
1/2"	28.5	33.5	21.7	12.5	0.130	35.0	38.0	21.7	12.5	0.230
3/4"	33.5	38.0	27.1	14.5	0.190	38.0	44.5	27.1	14.5	0.320
1"	38.0	46.0	33.8	16.0	0.260	44.5	57.0	33.8	16.0	0.640
1.1/4"	44.5	55.5	42.6	17.5	0.480	47.5	63.5	42.6	17.5	0.720
1.1/2"	51.0	62.0	48.7	19.0	0.570	51.0	76.0	48.7	19.0	1.170
2"	60.5	75.5	61.1	22.0	0.920	63.5	92.0	61.1	22.0	2.080
2.1/2"	76.0	92.0	73.8	23.5	1.400	66.5	108.0	73.8	23.5	2.800
3"	86.0	110.0	89.8	25.5	1.800	70.0	127.0	89.8	25.5	3.230
4"	114.5	152.5	115.4	28.5	3.230	76.0	159.0	115.4	28.5	6.220

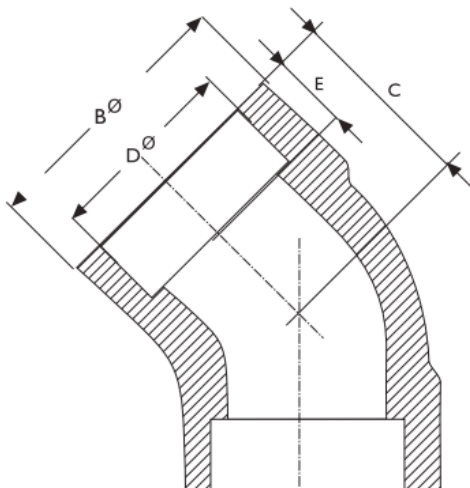


ELBOW 45° SW

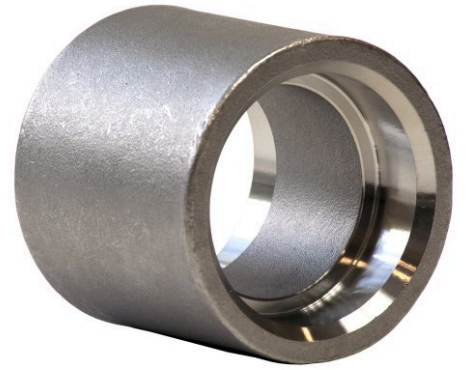


Elbow 45° SW 3000#, 6000# and 9000#	
Specifications	
Material	Stainless steel ASTM A182

3000LBS						6000LBS				
OD	C	B Ø	D Ø	E	Weight	C	B Ø	D Ø	E	Weight
1/4"	25.5	19.0	14.0	9.5	0.10					
3/8"	25.5	19.0	17.5	11.0	0.10					
1/2"	38.0	25.5	21.7	11.0	0.26	38.0	25.5	21.7	12.5	0.31
3/4"	38.0	25.5	27.1	12.5	0.25	46.0	28.5	27.1	14.5	0.52
1"	46.0	28.5	33.8	14.5	0.38	55.5	33.5	33.8	16.0	0.92
1.1/4"	55.5	33.5	42.6	16.0	0.61	62.0	35.0	42.6	14.5	1.02
1.1/2"	62.0	35.0	48.7	16.0	0.71	75.5	43.0	48.7	17.5	1.92
2"	75.5	43.0	61.1	17.5	1.14	84.0	43.5	61.1	15.0	2.29
2.1/2"	101.5	52.5	73.8	24.0	3.36	101.5	52.5	73.8	20.5	4.04
3"	118.0	63.5	89.8	32.0	4.70	118.0	63.5	89.8	28.5	5.80
4"	146.0	79.5	115.4	38.0	9.00	146.0	79.5	115.4	38.0	10.65

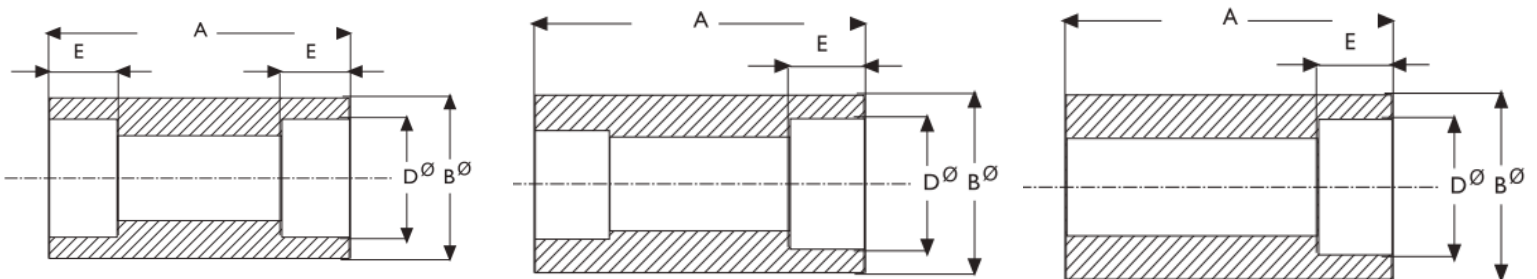


COUPLING SW



COUPLING SW 3000#, 6000# and 9000#	
Specifications	
Material	Stainless steel ASTM A182

3000LBS					6000LBS					
OD	A	B Ø	D Ø	E	Weight	A	B Ø	D Ø	E	Weight
1/4"	25.5	22.0	14.0	9.5	0.050					
3/8"	28.5	25.5	17.5	11.0	0.060					
1/2"	35.0	31.5	21.7	12.5	0.130	35.0	38.0	21.7	12.5	0.23
3/4"	38.0	38.0	27.1	14.5	0.190	38.0	44.5	27.1	14.5	0.32
1"	44.5	44.5	33.8	16.0	0.260	44.5	57.0	33.8	16.0	0.64
1.1/4"	47.5	57.0	42.6	17.5	0.480	47.5	63.5	42.6	17.5	0.72
1.1/2"	51.0	63.5	48.7	19.0	0.570	51.0	76.0	48.7	19.0	1.17
2"	63.5	76.0	61.1	22.0	0.920	63.5	92.0	61.1	22.0	2.08
2.1/2"	66.5	92.0	73.8	23.5	1.400	66.5	108.0	73.8	23.5	2.80
3"	70.0	108.0	89.8	25.5	1.800	70.0	127.0	89.8	25.5	3.23
4"	76.0	140.0	115.4	28.5	3.230	76.0	159.0	115.4	28.5	6.22

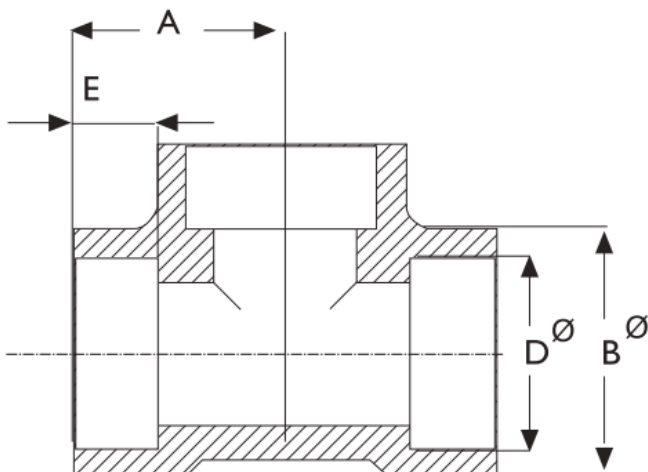


TEE SW



TEE SW		3000#, 6000# and 9000#
Specifications		
Material	Stainless steel ASTM A182	

3000LBS						6000LBS				
OD	A	B Ø	D Ø	E	Weight	A	B Ø	D Ø	E	Weight
1/4"	24.5	25.5	14.0	13.5	0.150					
3/8"	24.5	25.5	17.5	11.0	0.140					
1/2"	28.5	33.5	21.7	12.5	0.300	33.5	38.0	21.7	14.5	0.530
3/4"	33.5	38.0	27.1	14.5	0.380	38.0	46.0	27.1	16.0	0.880
1"	38.0	46.0	33.8	16.0	0.610	44.5	55.5	33.8	17.5	1.440
1.1/4"	44.5	55.5	42.6	17.5	0.930	51.0	62.0	42.6	19.0	1.790
1.1/2"	51.0	62.0	48.7	19.0	1.240	60.5	75.5	48.7	22.0	3.240
2"	60.5	75.5	61.1	22.0	1.910	63.5	84.0	61.1	22.0	3.510
2.1/2"	76.0	92.0	73.8	34.5	3.700	86.0	110.0	73.8	30.0	8.800
3"	86.0	110.0	89.8	29.0	5.500	95.5	120.5	89.8	32.0	10.500
4"	114.5	152.5	115.4	48.0	19.000	114.5	152.5	115.4	35.0	22.200

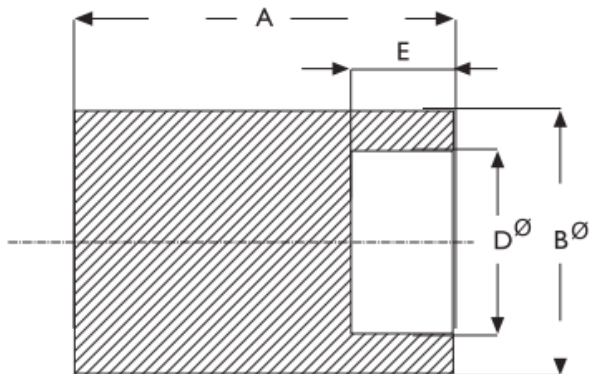


CAP SW



CAP SW		3000#, 6000# and 9000#
Specifications		
Material	Stainless steel ASTM A182	

3000LBS						6000LBS				
OD	A	B Ø	D Ø	E	Weight	A	B Ø	D Ø	E	Weight
1/4"	24.5	25.5	14.0	13.5	0.150					
3/8"	24.5	25.5	17.5	11.0	0.140					
1/2"	28.5	33.5	21.7	12.5	0.300	33.5	38.0	21.7	14.5	0.530
3/4"	33.5	38.0	27.1	14.5	0.380	38.0	46.0	27.1	16.0	0.880
1"	38.0	46.0	33.8	16.0	0.610	44.5	55.5	33.8	17.5	1.440
1.1/4"	44.5	55.5	42.6	17.5	0.930	51.0	62.0	42.6	19.0	1.790
1.1/2"	51.0	62.0	48.7	19.0	1.240	60.5	75.5	48.7	22.0	3.240
2"	60.5	75.5	61.1	22.0	1.910	63.5	84.0	61.1	22.0	3.510
2.1/2"	76.0	92.0	73.8	34.5	3.700	86.0	110.0	73.8	30.0	8.800
3"	86.0	110.0	89.8	29.0	5.500	95.5	120.5	89.8	32.0	10.500
4"	114.5	152.5	115.4	48.0	19.000	114.5	152.5	115.4	35.0	22.200



Threaded Stainless steel A182 2000#, 3000# and 6000#

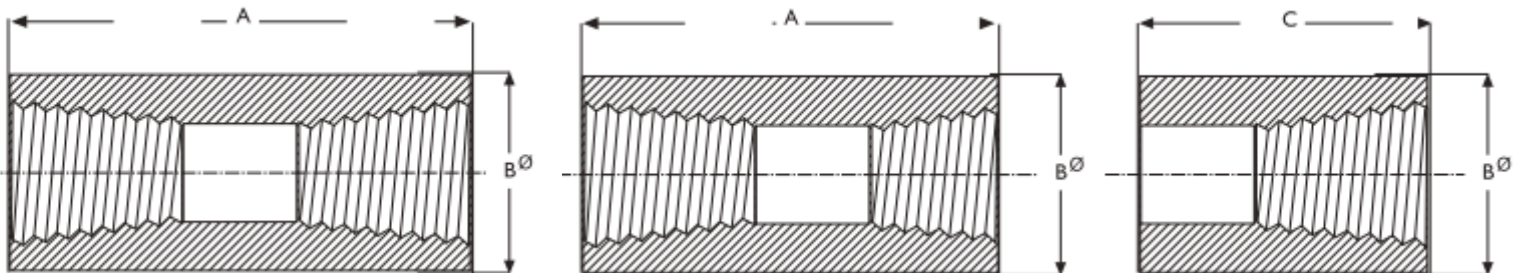


THREADED COUPLING



COUPLING		2000#, 3000# and 6000#
Specifications		
Material	Stainless steel ASTM A182	

3000LBS					6000LBS			
OD	A	B Ø	C	Weight	A	B Ø	C	Weight
1/4"	35.0	19.0	17.5	0.050	35.0	25.5	17.5	0.060
3/8"	38.0	22.0	19.0	0.060	38.0	32.0	19.0	0.180
1/2"	47.5	29.0	24.0	0.130	47.5	38.0	24.0	0.310
3/4"	51.0	35.0	25.5	0.190	51.0	44.5	25.5	0.410
1"	60.5	44.5	30.0	0.390	60.5	57.0	30.0	0.850
1.1/4"	66.5	57.0	33.5	0.680	66.5	63.5	33.5	1.050
1.1/2"	79.5	63.5	39.5	1.000	79.5	76.0	39.5	1.810
2"	85.5	76.0	43.0	1.370	85.5	92.0	43.0	3.400
2.1/2"	92.0	92.0	46.0	2.070	92.0	108.0	46.0	4.190
3"	108.0	108.0	54.0	3.080	108.0	127.0	54.0	6.100
4"	120.5	140.0	60.0	5.440	120.5	159.0	60.0	10.300

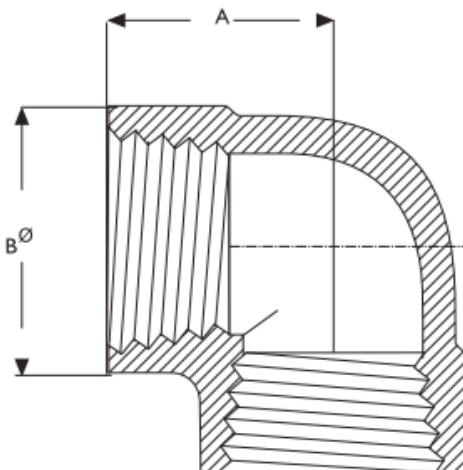


THREADED ELBOW 90°



Elbow 90°		2000#, 3000# and 6000#
Specifications		
Material	Stainless steel ASTM A182	

3000LBS			6000LBS			
OD	A	B Ø	Weight	A	B Ø	Weight
1/4"	24.5	25.5	0.140	28.5	33.5	0.300
3/8"	28.5	33.5	0.270	33.5	38.0	0.460
1/2"	33.5	38.0	0.410	38.0	46.0	0.720
3/4"	38.0	46.0	0.650	44.5	55.5	1.160
1"	44.5	55.5	1.040	51.0	62.0	1.620
1.1/4"	51.0	62.0	1.310	60.5	75.5	2.670
1.1/2"	60.5	75.5	2.220	63.5	84.0	3.210
2"	63.5	84.0	2.470	86.0	110.0	7.940
2.1/2"	86.0	110.0	7.340	95.5	120.5	9.850
3"	95.5	120.5	7.780	114.5	152.5	18.000
4"	114.5	152.5	13.280			

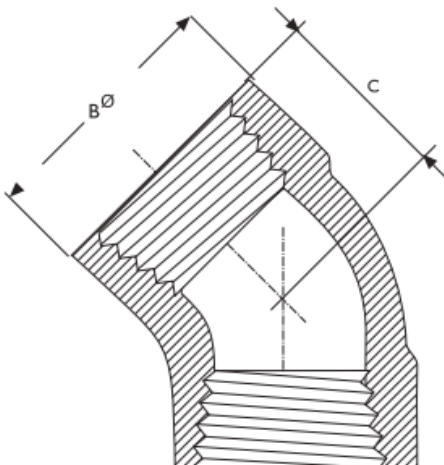


THREADED ELBOW 45°



Elbow 45°		2000#, 3000# and 6000#	
Specifications			
Material	Stainless steel ASTM A182		

3000LBS				6000LBS		
OD	B Ø	C	Weight	B Ø	C	Weight
1/4"	25.5	19.0	0.120	38.0	25.5	0.400
3/8"	38.0	25.5	0.370	38.0	25.5	0.380
1/2"	38.0	25.5	0.340	46.0	28.5	0.610
3/4"	46.0	28.5	0.530	55.5	33.5	1.020
1"	55.5	33.5	0.520	62.0	35.0	1.180
1.1/4"	62.0	35.0	0.960	75.5	43.0	2.070
1.1/2"	75.5	43.0	1.840	84.0	43.5	2.610
2"	84.0	43.5	1.930	101.5	52.5	4.370
2.1/2"	101.5	52.5	3.460	120.5	63.5	7.000
3"	120.5	63.5	5.450	152.5	79.5	14.160
4"	152.5	79.5	9.500			

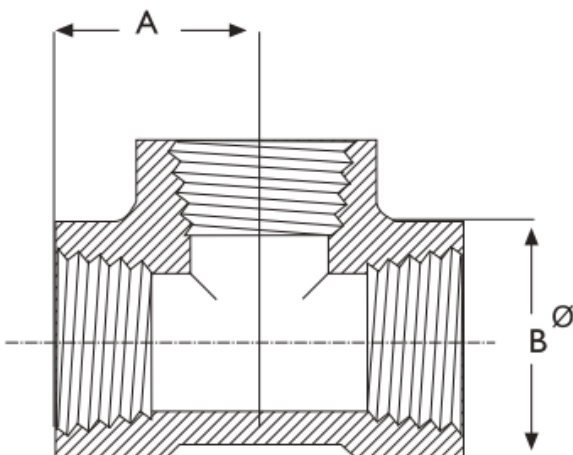


THREADED TEE

TEE		2000#, 3000# and 6000#
Specifications		
Material	Stainless steel ASTM A182	



3000LBS			6000LBS			
OD	A	B Ø	Weight	A	B Ø	Weight
1/4"	24.5	25.5	0.200	28.5	33.5	0.410
3/8"	28.5	33.5	0.380	33.5	38.0	0.620
1/2"	33.5	38.0	0.560	38.0	46.0	0.980
3/4"	38.0	46.0	0.840	44.5	55.5	1.650
1"	44.5	55.5	1.360	51.0	62.0	2.190
1.1/4"	51.0	62.0	1.650	60.5	75.5	3.320
1.1/2"	60.5	75.5	3.100	63.5	84.0	4.430
2"	63.5	84.0	3.180	86.0	110.0	8.500
2.1/2"	86.0	110.0	8.800	95.5	120.5	13.100
3"	95.5	120.5	9.500	114.5	152.5	24.000
4"	114.5	152.5	17.200			

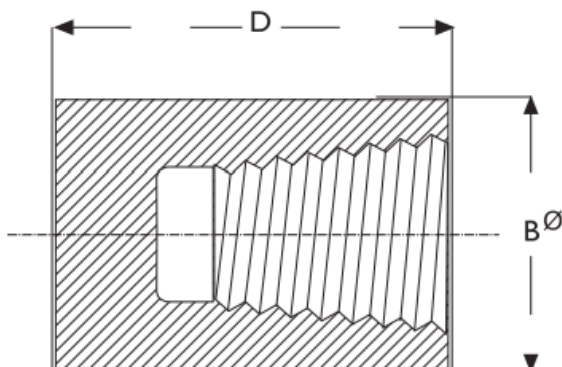


THREADED CAP

CAP		2000#, 3000# and 6000#
Specifications		
Material	Stainless steel ASTM A182	



3000LBS			6000LBS			
OD	D	B Ø	Weight	D	B Ø	Weight
1/4"	25.5	19.0	0.040	25.5	25.5	0.060
3/8"	25.5	22.0	0.050	30.0	32.0	0.090
1/2"	32.0	29.0	0.110	35.0	38.0	0.140
3/4"	36.5	35.0	0.180	38.0	44.5	0.200
1"	41.5	44.5	0.330	46.0	57.0	0.340
1.1/4"	44.5	57.0	0.600	47.5	63.5	0.600
1.1/2"	44.5	63.5	0.700	47.5	76.0	0.770
2"	47.5	76.0	1.060	51.0	92.0	1.470
2.1/2"	60.5	92.0	1.840	63.5	108.0	2.100
3"	65.0	108.0	1.650	68.0	127.0	2.000
4"	68.0	140.0	4.570	74.5	159.0	6.300

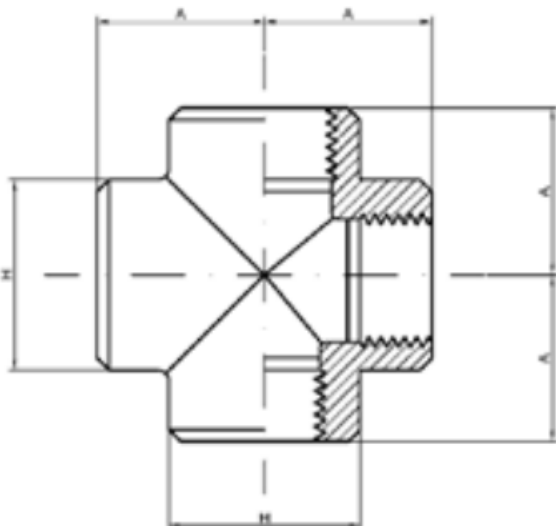


THREADED CROSS



CROSS		2000#, 3000# and 6000#
Specifications		
Material	Stainless steel ASTM A182	

3000LBS					6000LBS			
OD	A	H	Q	Weight	A	H	Q	Weight
1/4"	24.64	25.40	3.30	0.22	28.45	33.27	6.60	0.47
3/8"	28.45	33.27	3.51	0.40	33.27	38.10	6.98	0.67
1/2"	33.27	38.10	4.09	0.63	38.10	45.97	8.15	1.12
3/4"	38.10	45.97	4.32	0.93	44.45	55.63	8.53	1.90
1"	44.45	55.63	4.98	1.47	50.80	61.98	9.93	2.90
1.1/4"	50.80	61.98	5.28	1.77	60.45	75.44	10.59	4.20
1.1/2"	60.45	75.44	5.56	3.42	63.50	84.07	11.07	6.35
2"	63.50	84.07	7.14	5.00	82.55	101.60	12.09	9.80
2.1/2"	82.55	101.60	7.64	7.32	95.25	120.65	15.29	16.00
3"	95.25	120.65	8.84	11.20	106.43	146.05	16.64	22.60
4"	114.30	152.40	11.18	19.00	114.30	152.40	18.67	28.10



THREADED HEX PLUG

HEX PLUG		2000#, 3000# and 6000#
Specifications		
Material	Stainless steel ASTM A182	



3000LBS/6000LBS				
OD	A	F	H	Weight
1/4"	11.18	15.75	6.35	0.03
3/8"	12.70	17.53	7.87	0.04
1/2"	14.22	22.35	7.87	0.07
3/4"	15.75	26.92	9.65	0.14
1"	19.05	35.05	9.65	0.21
1.1/4"	20.57	44.45	14.22	0.42
1.1/2"	20.57	50.80	15.75	0.58
2"	22.35	63.50	17.53	1.00
2.1/2"	26.92	76.20	19.05	1.85
3"	28.45	88.90	20.57	3.00
4"	31.75	117.35	25.40	6.00

